


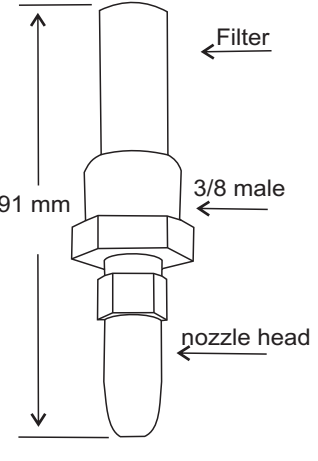
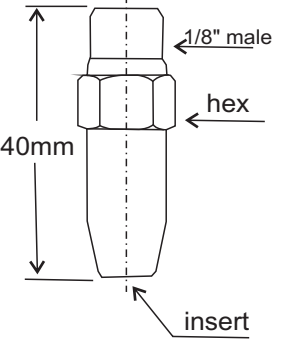
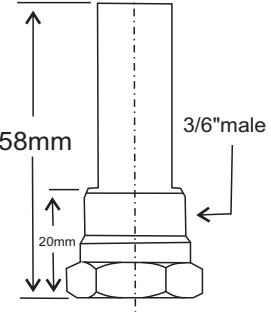



# Edge Cutter Nozzles:

						
						
Material	Body material : Brass, 304SS, 316SS Insert material: Ruby, Ceramic					
Description	Orifice diameter 0.4-1.0mm available, deliver single stream tip thread 1/8" NTP/BSPT and M10x0.75 available, filler thread 3/8" NTP/BSPT available					
Application	Applied to paper trimming, timber cutting and precise components cleaning					

## Technical Data:

P/n	Orifice (mm)	Flow Rate (l/min) /Pressure (MPa)									Screen
		0.3	0.5	1.0	1.5	2.0	2.5	3.0	4.0	5.0	
	0.4	0.12	0.15	0.22	0.27	0.31	0.34	0.37	0.43	0.48	100 mesh
	0.5	0.19	0.24	0.34	0.42	0.48	0.53	0.58	0.67	0.75	
	0.6	0.27	0.35	0.49	0.60	0.69	0.77	0.84	0.97	1.09	50 mess
	0.7	0.36	0.47	0.66	0.81	0.97	1.05	1.15	1.33	1.48	
	0.8	0.48	0.61	0.87	1.06	1.23	1.37	1.50	1.73	1.94	
	0.9	0.60	0.78	1.10	1.35	1.55	1.73	1.90	2.19	2.45	
	1.0	0.74	0.96	1.36	1.66	1.92	2.14	2.35	2.71	3.03	
1.2	1.07	1.38	1.95	2.30	2.76	3.08	3.38	3.39	4.36		

## Abhi Industrial Corporation

D-126, sector -7, Noida - 201 301  
Uttar Pradesh, India

Mobile : +91-9818679021, 9910940535

e-mail : abhinavmishra13@gmail.com

abhiindustrialcorporation@gmail.com

info@abhiindustrial.com

Web : abhiindustrial.com